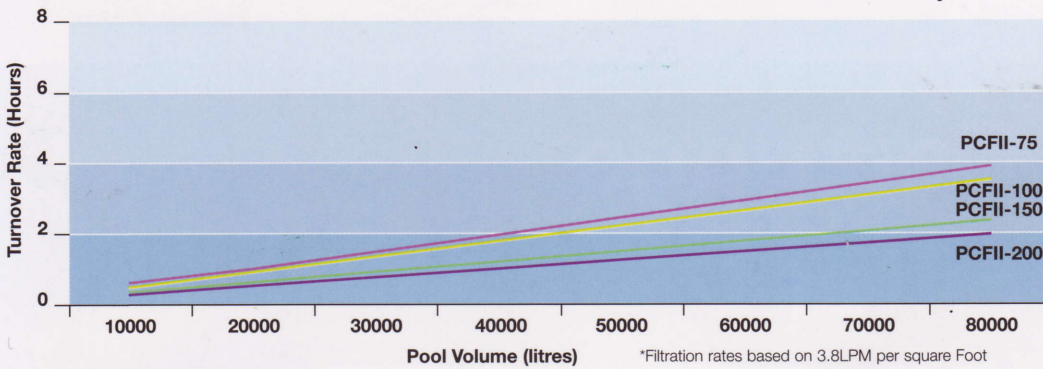


Pantera Cartridge Filter



Flow Rate Curve



Disclaimers This information was prepared by Pentair Water and every endeavour has been made to publish the correct details in this leaflet. No responsibility will be taken for errors, omissions or changes in product specifications. All performance data taken at sea level.

Operating Conditions

Fluid:	Water
Maximum working pressure:	280 kPa
Water temperature range:	5°C – 45°C
Maximum Ambient temperature:	55°C maximum

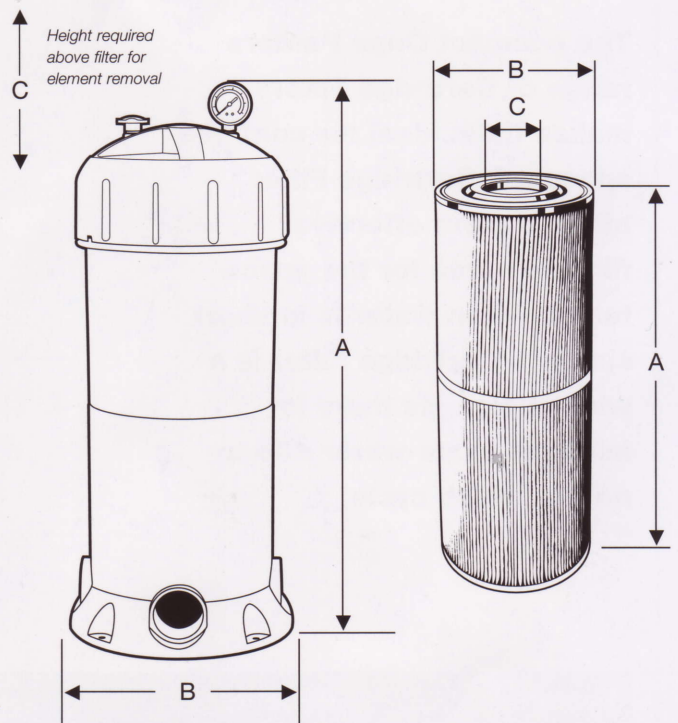
Maximum Flow rate

PCFII 75	300 LPM
PCFII 100	370 LPM
PCFII 150	410 LPM
PCFII 200	600 LPM

Materials of construction

Component	Material
Filter Housing:	UV Resistant PVC
Filter Lid:	UV Resistant PVC
O'Ring:	Nitrile
Blanking Cap (2):	UV Resistant PVC
Cartridge Material:	Polyester Dupont Remay®
Cartridge end caps:	Urethane
Cartridge core:	ABS - Moulded
Pressure Gauge:	50mm PVC Casing or Bottom Mount

Line Drawings



Filter Dimensions

Filter Model	Dimension A	Dimension B	Dimension C	Filter Weight (Kg)	Packed Weight (Kg)	Carton Dimension LxWxH
PCFII-075	690	285	450	7	8	310 x 310 x 690
PCFII-100	690	285	660	10	12	310 x 310 x 690
PCFII-150	940	285	450	12	14	310 x 310 x 1180
PCFII-200	940	285	450	14	16	310 x 310 x 1180

Element Dimensions

Filter Model	Filter Area (Sq ft/Sq.m)	Overall Length (mm) A	Outside Diameter (mm) B	Hole size, Internal (mm) C
PCFII-75	75/7.0	495	185	75
PCFII-100	100/9.3	495	185	75
PCFII-150	150/13.9	745	185	75
PCFII-200	200/18.6	745	185	75



Australia
New Zealand
Americas
Europe
Asia

Freecall 1800 664 266 Web: pentairwater.com.au Email: sales@pentairwater.com.au Fax: 1800 006 688
Freecall 0800 664 269 Web: pentairwater.com Email: auckland@pentairwater.com.au
Auckland Fax: +64 9 579 6497 Christchurch Fax: +64 3 343 1054
Pentair, Inc www.pentair.com
Pentair Pumps S.p.A www.pentairpumps.it
China / India www.pentairwater.com

Pentair Water Australia Pty Ltd. ACN 004 856 204 ©Registered to Onga Pty Ltd ABN 27 004 856 204

